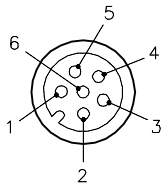
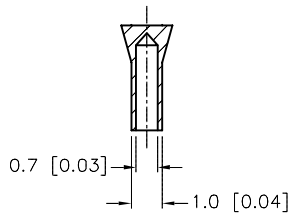


MALE END VIEW

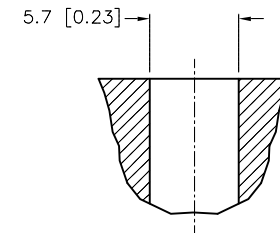
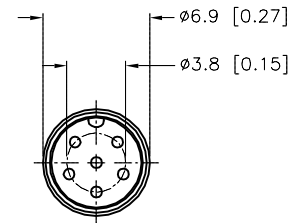
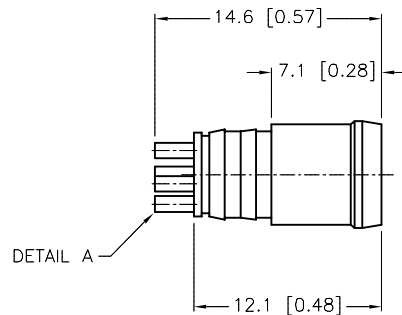


SPECIFICATIONS

CONTACT CARRIER MATERIAL/COLOR	TPU/BLACK
CONTACT MATERIAL/PLATING	BRASS/GOLD
HOUSING MATERIAL/PLATING/COLOR	NYLON/BLACK
RATED CURRENT [A]	1.0 A
RATED VOLTAGE [V]	24 VDC
TEMPERATURE RANGE	-30°C to +80°C (-22°F to +176°F)
MAXIMUM WIRE SIZE	26 AWG



DETAIL A
SCALE 2=1



BORE DIAMETER FOR MOUNTING

SOURCE DRAWING - FOR REFERENCE ONLY

RELATED DOCUMENTS		3RD ANGLE PROJECTION		THIS DRAWING IS CONFIDENTIAL AND THE PROPERTY OF TURCK INC. USE OF THIS DOCUMENT WITHOUT WRITTEN PERMISSION IS PROHIBITED.		3000 CAMPUS DRIVE MINNEAPOLIS, MN 55441 1-800-544-7769 (763) 553-7300 (763) 553-0708 fax www.turck.us	
1. 2. 3. 4.				TURCK		DRFT CBM DATE 06/08/99 APVD SCALE 1=5 DESCRIPTION ESM 6S (10/BAG)	
MATERIAL SEE SPECIFICATIONS		ALL DIMENSIONS DISPLAYED ON THIS DRAWING ARE FOR REFERENCE ONLY		UNIT OF MEASUREMENT MILLIMETER [INCH]		IDENTIFICATION NO. E3005-1	
FINISH SEE SPECIFICATIONS		CONTACT TURCK FOR MORE INFORMATION		DO NOT SCALE THIS DRAWING		REV B	
B	UPDATED CONTACT CARRIER MATERIAL	NF	09/09/15	49034	FILE: E3005-1		
REV	DESCRIPTION	BY	DATE	ECO NO.	SHEET 1 OF 1		